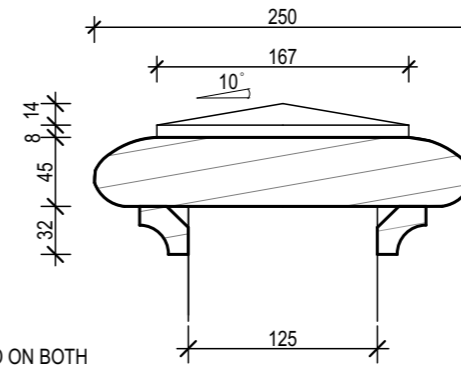
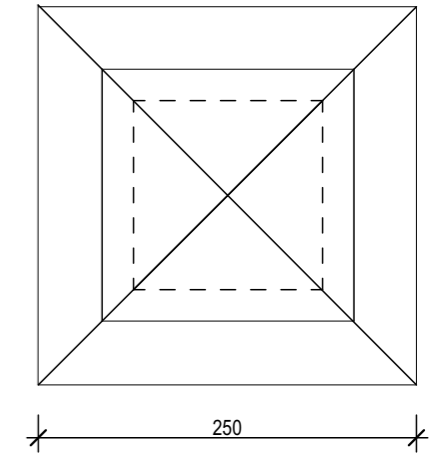


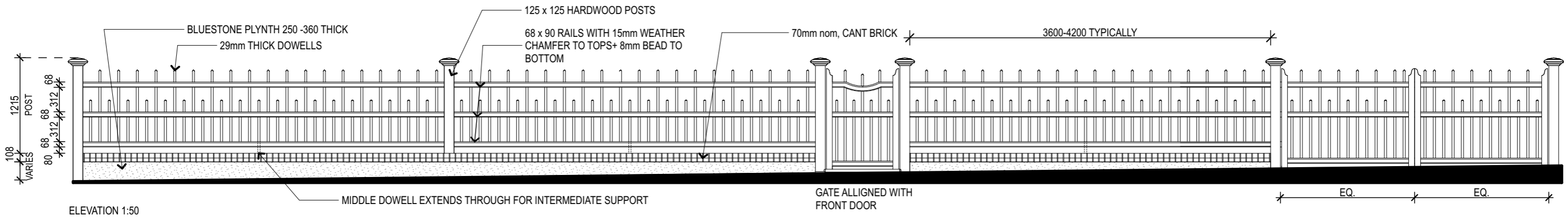
RAIL DETAIL 1:5



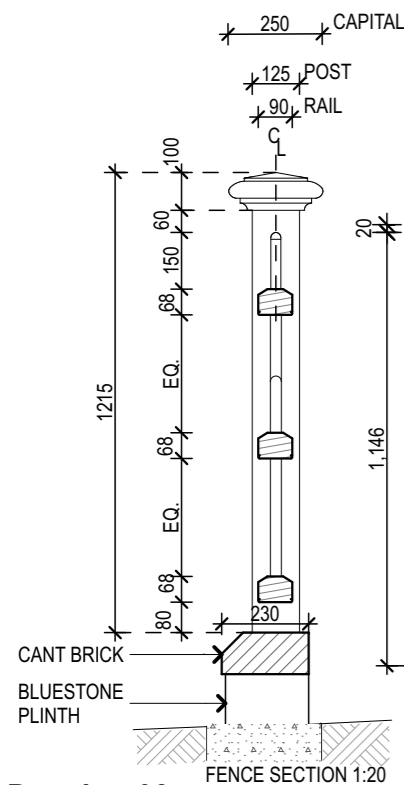
FENCE POST MOULDING 1:5



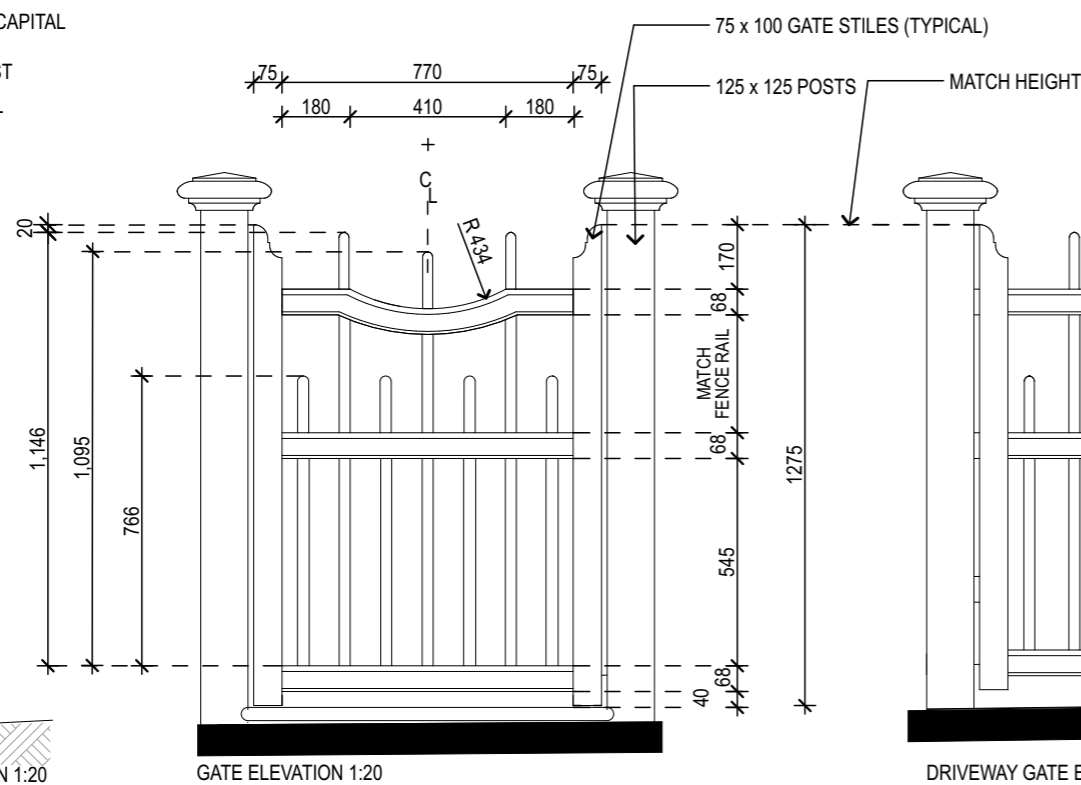
FENCE POST TOP PLAN 1:5



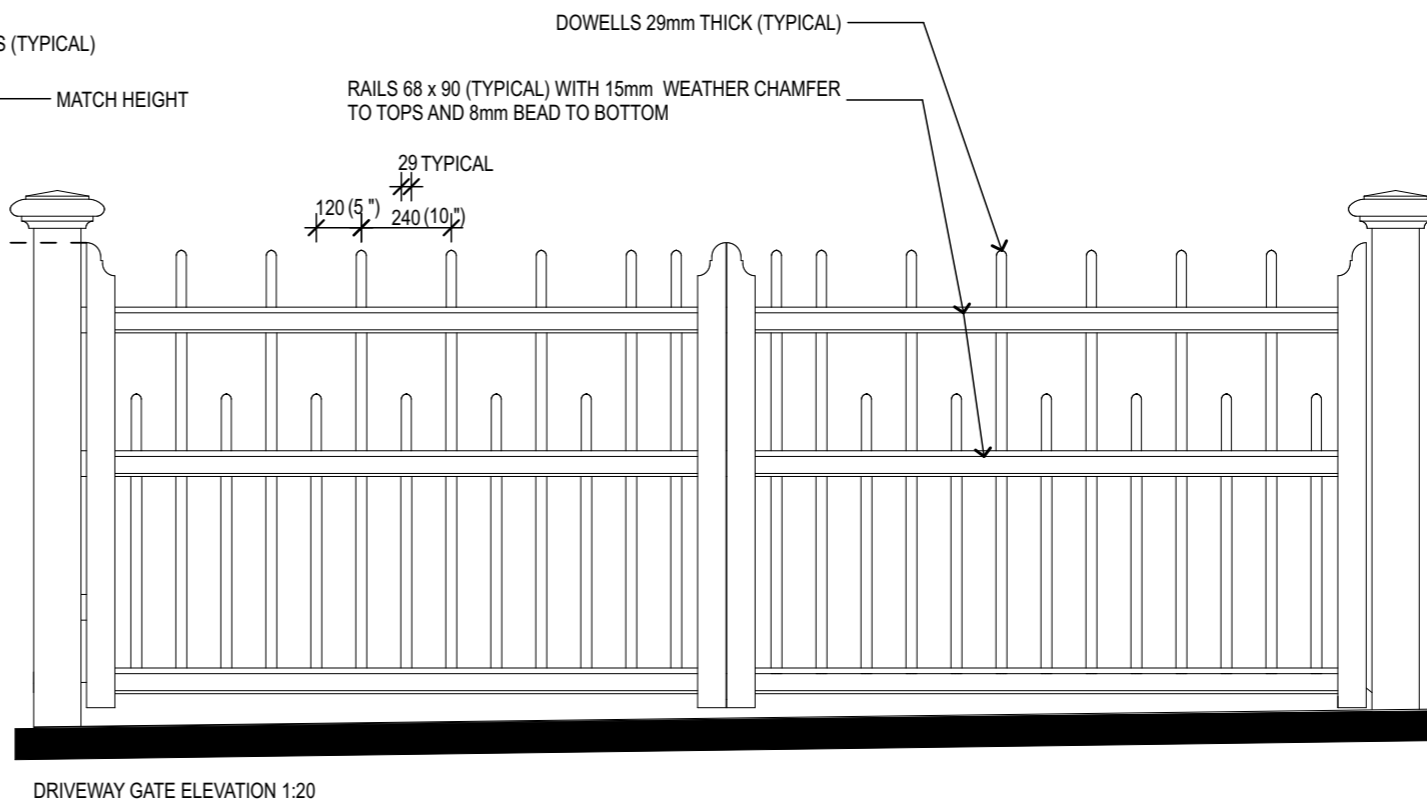
ELEVATION 1:50



FENCE SECTION 1:20



GATE ELEVATION 1:20



DRIVEWAY GATE ELEVATION 1:20

Drawing 03
Victorian Villa circa. 1880-1915
Dowel + Rail Fence

NOTE: DO NOT SCALE DRAWINGS. REFER TO DIMENSIONS AS SHOWN

THE CITY of
Unley
 WILKINSON
 ALEXANDER
 © 2018
 ALEXANDER WILKINSON DESIGN
 HERITAGE CONSULTANTS