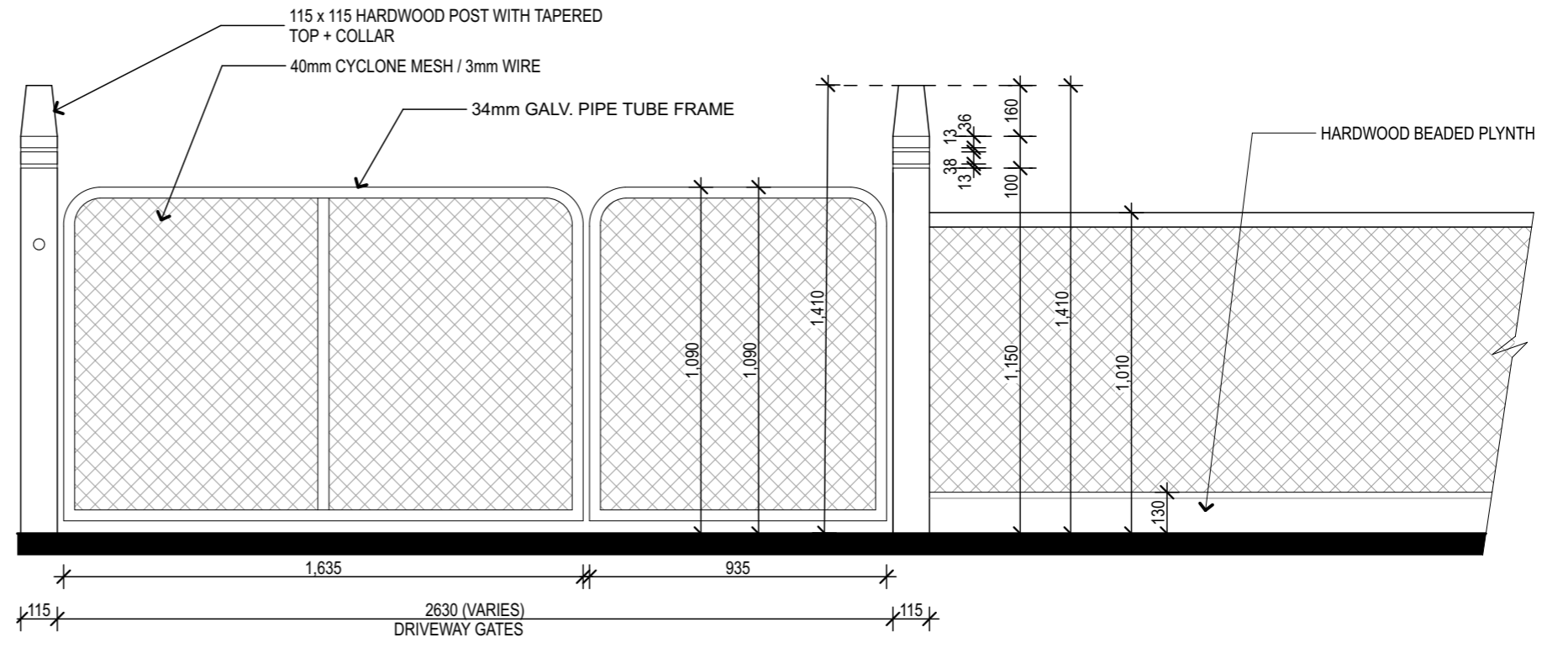
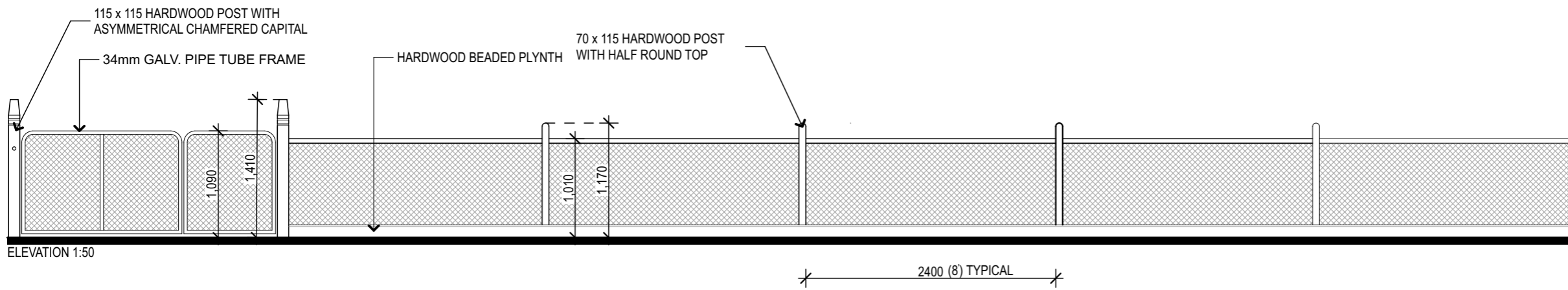




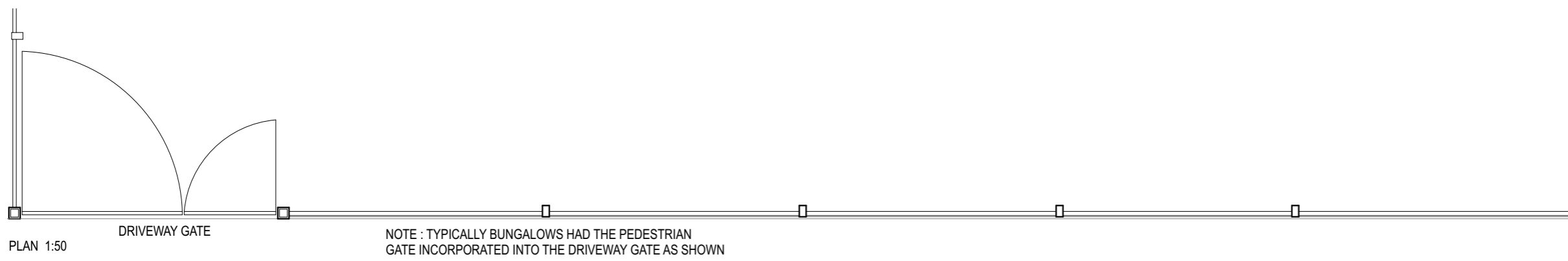
Bungalow circa. 1930



ELEVATION DETAIL 1:20

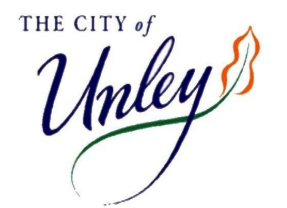


ELEVATION 1:50



**Drawing 09**  
**Bungalow** circa. 1930  
**Post + Wire Fence**

NOTE: DO NOT SCALE DRAWINGS. REFER TO DIMENSIONS AS SHOWN



WILKINSON  
 ALEXANDER

ALEXANDER WILKINSON DESIGN  
 HERITAGE CONSULTANTS

© 2018